

BXM Series Reciprocating Pumps Instructions and Service Manual

GENERAL INSTRUCTIONS

Reciprocating pumps of both the plunger and piston type are positive displacement in principle. Due to positive displacement characteristics, problems may arise through improper installation or application. When new or unusual installations are planned, or the material to be pumped is a liquid other than cold water, the customer should consult the "Myers Reciprocating Pump Manual" or factory for additional information.

CAUTION: Positive Displacement Pumps must have a proper size and operable type of pressure regulating valve or pressure relief valve piped into the discharge line. This is mandatory to prevent damage to pump and piping or possible injury to personnel. Do not install any valves or shutoff devices in the bypass line from pressure regulator to tank or supply.

1. INSTALLATION

- A. If possible, install suction piping one pipe size larger than suction tapping in pump. Reduce piping size at pump with a reducer coupling. A suction surge-arrester will assure smoother operation.
- B. Keep suction piping as short and simple as possible with a minimum of lift. Avoid any high points in the suction line. Suction piping must not have any air leaks. Check suction piping assembly for leaks by using 20-80 PSI air pressure and soap bubbles or submerging assembly under water.
- C. Use suction strainer and screen with twice the rating of the pump capacity to avoid restriction of the pump suction. Strainer mesh should be sufficiently small to prevent passage of trash which may lodge under pump valves. Keep screen clean with a regular maintenance schedule to avoid starving of pump suction. A starved suction condition is usually indicated by excessive pump shock and noise. Many pump problems and many packing or cup failures are directly traceable to a starved suction condition.
- D. When pumping liquids that are heated, reduce pump speed to avoid suction problems, consult "Myers Reciprocating Pump Manual" or factory for temperature and speed limitations.
- E. Make sure that drive is adequate for horsepower required and that drive is properly aligned and tensioned. With belt drives, pulley on both motor and pump should be located as closely as possible to bearing to reduce bearing and shaft bending loads.

CAUTION: Be sure that pump belts and pulleys are properly protected by guards according to industrial code within state of application.

- F. Make sure that all bolts, nuts, set screws and keys are properly tightened.

- G. Be sure that discharge line is properly protected by means of a pressure regulating valve and a discharge surge arrester of proper size, capacity and pressure rating. The discharge line should be of comparable size to discharge tapping in pump. Average discharge line velocity should not exceed 5 feet per second for most satisfactory operation.
- H. Nozzle capacity or demand should not exceed 90% of pump capacity for satisfactory regulating valve operation. Nozzling in excess of this capacity may cause unstable pressure regulator operation. It is also preferred to nozzle in excess of 50% of pump capacity to reduce rate of erosion or wear on regulating valve and seat. When lower system demands (than rated pump capacity) are required in an installation, the pump speed should be reduced by changing drive ratios. This will reflect savings in power consumption, reduced regulating valve wear and extend pump life.
- I. Where line shock or water hammer is encountered a second surge arrester should be installed in the discharge line adjacent to spray gun or nozzles. Under some conditions it may also be desirable to isolate pump from piping with a suitable high pressure hose. This will eliminate transmission of line vibration to the pump, reducing possible failure of piping, pipe threads, and/or pump casting.
- J. Never pipe the bypass from a pressure regulating valve back into the pump suction. When the discharge line is shut off, the complete bypass is circulated back into pump suction with a resulting rapid temperature rise which will destroy the piston packing. It is permissible to pipe the bypass from an unloader into the suction because the pump pressure is unloaded when discharge is shut off.

2. STARTING PUMP

A. Before starting read all instructions carefully!

1. Replace all drain plugs in pump and piping.
2. Fill pump crankcase with recommended oil to the proper level. (See Lubrication Section.)
3. Inspect tank to be sure that no foreign material is in tank or suction line.
4. Fill tank at least half full or connect suction to water supply. Open valve (if present) in suction line. If pumping from a pit, make sure that suction line is completely submerged.
5. Make sure all valves, including spray gun or nozzles, are open in discharge line. Spray gun may be anchored to discharge back into tank.
6. Completely back off pressure adjusting screw on pressure regulating valve.

CAUTION: When pumping from a pit or under a suction lift condition, if pump does not prime in a short period, fill the discharge side of fluid end with water to seal discharge valves. If pump still does not prime remove suction hose and fill pump with water. Dry operation will cause heating and wear on cylinders and packing. Be sure that an operating pressure gauge is located on discharge line.

B. Starting Unit:

1. After starting, close discharge valve or gun slowly while watching pressure gauge to make sure relief valve or unloader is operating properly.
2. Adjust relief valve to desired pressure. See regulator instructions.
3. Cycle nozzles or gun on and off to be sure that pressure adjustment and regulator operation is satisfactory.

LUBRICATION

Pump-Crankcase must be filled with 2 to 3 pints depending on RPM (See Table) of SAE 30 oil unless ambient temperature exceeds 90 degrees F then SAE 40 should be used. Use only quality grade oils with SAE designation MS, SC or SD. Maintain level at mark on cover for the respected RPM. Foaming or

milky discoloration of oil is an indication of water. Oil should be replaced to preclude possible damage to crankcase and components.

NOTE – Drain oil from crankcase after first 30 hours of operation. It is best to always drain the oil when it is still hot. Refill with new oil as mentioned above. Run pump at full speed under no pressure for 2 or 3 minutes before returning to operation. Thereafter change oil every 300 hours or immediately if water droplets are found in crankcase. Check oil level regularly and add oil as needed.

RPM	OIL LEVEL LOCATION	OIL CAPACITY
800	Add Level Mark.	32 oz.
700	Between Add & Full Mark.	40 oz.
600	Full Mark.	48 oz.

Speeds of 400 to 600 RPM require 48 ounces of oil. For speeds less than 400 RPM consult factory for recommendations.

Avoid freezing by draining all water from pump and system in cold weather. This can be done by breaking suction connections and turning crankshaft over 4 or 5 times, or the fluid end can be removed to completely drain cylinders and fluid end.

SPECIFICATIONS

TYPE	TRIPLEX – SINGLE ACTING
Rated Capacity GPM @ 800 RPM	8 GPM/12.5 GPM
Pressure Rating: Continuous/Intermittent	1,000 PSI/1,500 PSI
Required BHP @ 800 RPM and Rated Pressure	6.3
Temperature Rating (Maximum)	140 degrees F
Cylinder Bore	1"/1.25"
Stroke	1-1/16"
Suction Size	1 NPT (Bottom)
Discharge	1/2" NPT (Top)
Crankshaft Diameter	1"
Keyway	1/4 x 1/8
Cylinder Material	Alumina Ceramic
Fluid End Material	Steel or Aluminum Bronze
Packing Material	High Acrylic Nitrile
Valve Material	Stainless Steel
Seat Material	Stainless Steel
Piston Material	Aluminum Bronze
Approximate Shipping Weight	50 lbs.
Recommended Regulator	22900B000
Recommended Unloader	19280C000
Recommended Discharge Surge Suppressor	6CU (18250B000)

SERVICE MANUAL

(Caution – Disconnect electrical leads to motor or remove spark plug leads on engine before processing.)

CYLINDER & PACKING SERVICE

Removal:

Remove 2 cap screws holding fluid end to power end and pull straight forward using care with ceramic cylinders. Do not cock fluid end or drop cylinders. Hold onto cylinder while removing socket head cap screw through cylinder and remove cylinder with packing still inside. Remove packing with a suitable punch being careful not to scratch cylinder. Grease cylinder O.D. when replacing so that it won't corrode in crankcase. When renewing packing, clean all piston parts, new nylon gaskets and O-rings. Ceramic cylinders can be cleaned by soaking in muriatic acid solution to remove build-up of packing material. **CAUTION!! AVOID DIRECT CONTACT WITH MURIATIC ACID. WEAR PROTECTIVE GLOVES AND EYE PROTECTION. IF EXPOSED, FLUSH EXPOSED AREA WITH WATER. CONSULT A PHYSICIAN FOR TREATMENT OF MURIATIC ACID BURNS.** Clean bores in both fluid end and power end. Be sure to replace nylon gasket in crankcase before replacing cylinder. Insert cap screw with lock washer through cup, replace piston, renew gasket and lubricate cup. With the lips of the cup away from the cylinder insert assembly through the cylinder in the end that has a chamfer on the O.D. Make sure the gasket is on the cap screw and insert assembly into crankcase. Care should be used to assure proper seating of cylinder into the machined opening at the rear of the bore. With the cylinder seated properly, the piston assembly adjusted and locked in place to 5-6 ft./lbs., and the O-ring lubricated and in the fluid end, the fluid end can be replaced. Insert cap screws and pull down finger tight. Do not cock fluid end while tightening. Pull evenly by alternately tightening to a final torque of 90-100 ft./lbs.

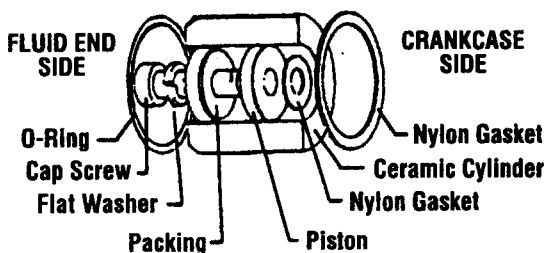


FIG. 1

VALVE SERVICE

When servicing valves always renew O-rings. Remove valve clamp on top of fluid end for access to valve components. Suction and discharge valves will show a wear pattern on seating surface but need not be replaced unless extreme wear, cracks or erosion is present on valve. All valve components are interchangeable but it is recommended to put them back in the same order as taken out if not renewing the

components. To replace valve components first clean bores to remove corrosion or burrs. Lubricate and replace O-ring in bottom of bore. Then the valve seat. Lubricate and replace O-ring. On the valve make sure the spring is inserted squarely inside the valve and fitted snug on the bottom of the valve seat before putting assembly into fluid end. Repeat for the discharge valve. Position valve cover over each valve assembly, install clamp and tighten bolts evenly to 30 ft.-lb.

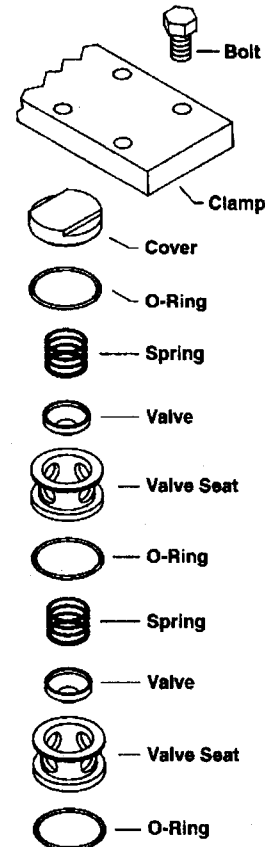


FIG. 2

SERVICING CRANKCASE PARTS

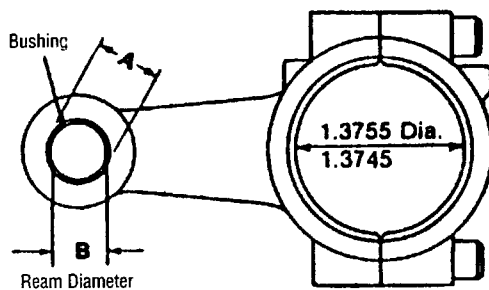
To remove crankshaft the plungers and cylinders must first be removed, as explained earlier. Drain oil from crankcase and remove rear cover. Remove retainer ring from bearing bore. The connecting link caps should be taken off and the free links pushed toward the water end as far as possible. **BEFORE REMOVAL, BE SURE TO NOTE THE MARKINGS ON THE CONNECTING LINKS AND CAPS. THESE PARTS ARE NOT INTERCHANGEABLE AND MUST BE REASSEMBLED IN THEIR ORIGINAL POSITIONS.** The crankshaft bearings and bearing cap can now be removed by tapping with a hammer against a block of wood on one end of the crankshaft. The crankshaft should be supported so that as the bearings leave the bores the crank does not drop and damage a crank pin. Do not remove bearing from crankshaft unless replacement is necessary. After removing crankshaft, the links and cross-head can be pulled out the crankcase opening.

SERVICING CONNECTING LINKS

The connecting links should be checked for bearing wear only if the pump shows signs which might be due to a failing link or during a general overhaul. The link is made of material that has bearing qualities. It does not require a crankshaft bearing and should last many hours if properly cared for.

The wrist pin will slide out as it has a slide fit on both the crosshead and link. When replacing the pin be sure the link operates freely on the crosshead. Torque for the link bolts are not to exceed 144 in./lbs. or 12 ft./lbs.

The following should be done by a qualified machine shop. If the wrist pin hole of the link has a clearance of .004 or more it can be salvaged by drilling and reaming to the dimension in Fig. 3 to accommodate 05806A030 bronze bushing. When drilling and reaming make sure it is parallel to the large diameter of the link. It may be necessary to ream the bushing I.D. to the dimension in Fig. 3 after bushing is installed. It is required to renew the whole link if the clearance between the link and crank becomes greater than .005 or it may be salvaged by machining equal amounts of material where the link and link cap meet but not to exceed .015 each end. Then rebore and hone to a fine finish to the dimension in Fig. 3. Also a radius should be machined to the sides to match the crank. The diameters will have to be perpendicular to the machined sides of the link.



Dim. A - Link Ream Dia. .5625 to .5635
Dim. B - Bushing Ream Dia. .4383 to .4389

FIG. 3

RECONDITIONING CRANKSHAFTS

When only a very small amount of damage has occurred on the crank pins, such as small surface grooves cut part way round the bearing surface, the crank pins can sometimes be reconditioned for further use. This can be done with emery cloth and polishing until all ridges are completely removed. The final polishing operation should be performed by using a very fine emery cloth. The procedure can only be followed where the amount of sanding does not reduce the normal

diameter of the crank pin. If the crankshaft cannot be refinished by hand in this manner, it will be necessary to build up the journals then regrind and polish to the original diameter of 1.37275 to 1.37225 in. with a 12 micro finish.

REPLACING CROSSHEAD SEALS

With the crankshaft and crossheads removed, the worn seals can be pried out. When installing new seals be sure to place them with the lip facing the power end and the metal face toward the water end. After cleaning the cavity and wiping with oil, the seal can be pressed into place with an arbor press or by tapping lightly with a hammer against a block of wood. The seals should be pressed in as shown in cutaway pump view. When returning crossheads through new seals care should be taken not to turn back or damage the lip of the seal. An assembly thimble can be very helpful in this operation. Fig. 4 shows a recommended thimble for installation of oil seals.

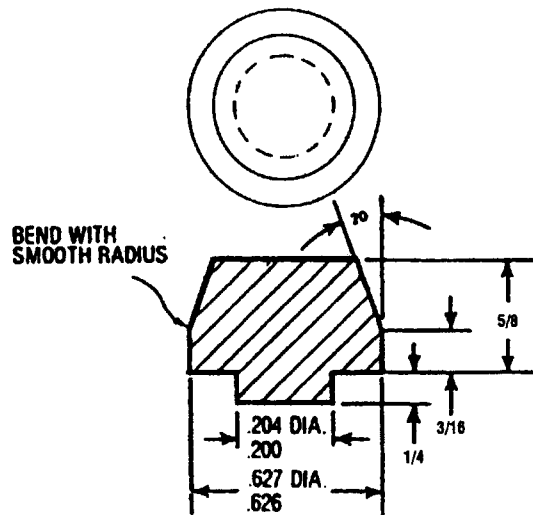
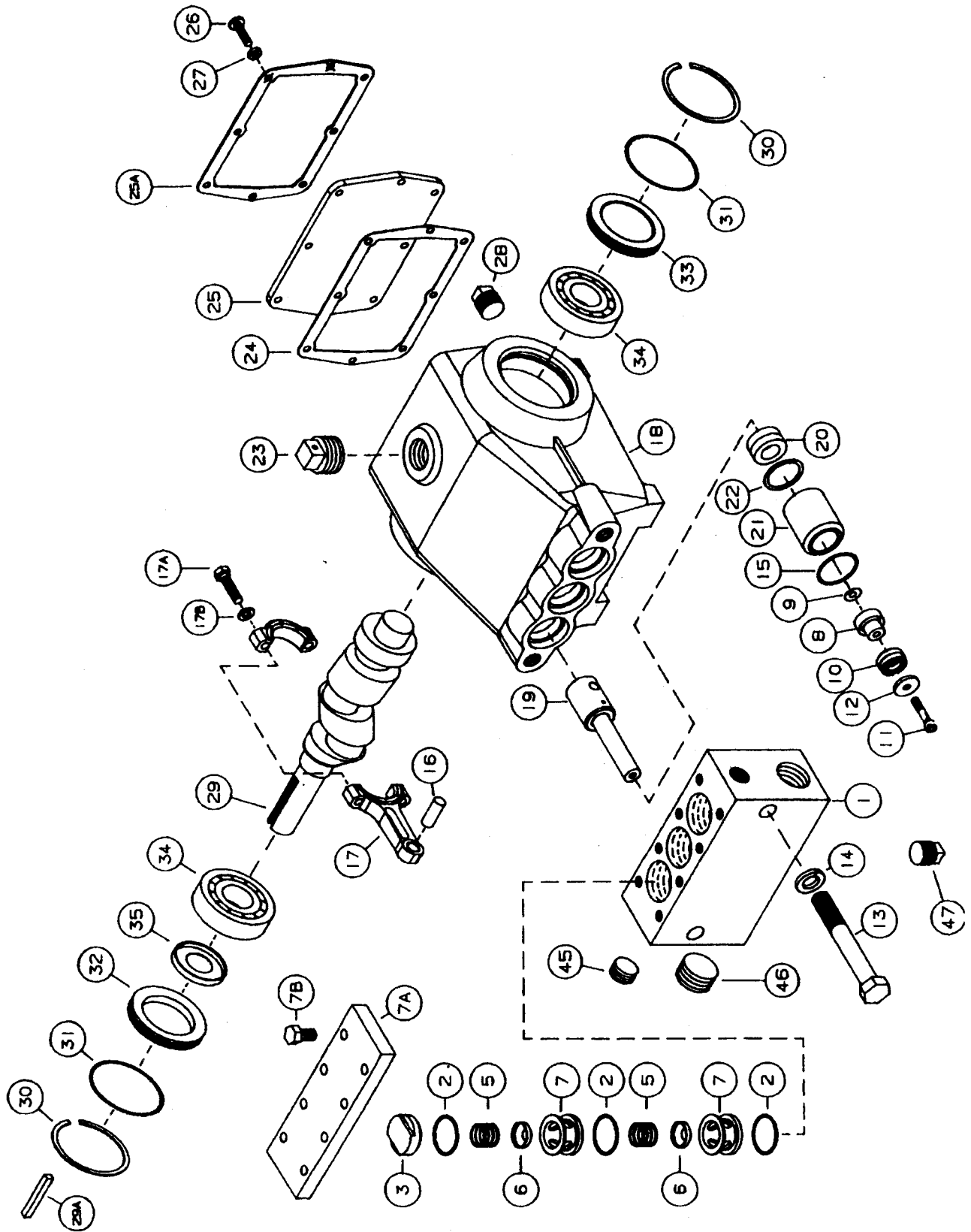


FIG. 4

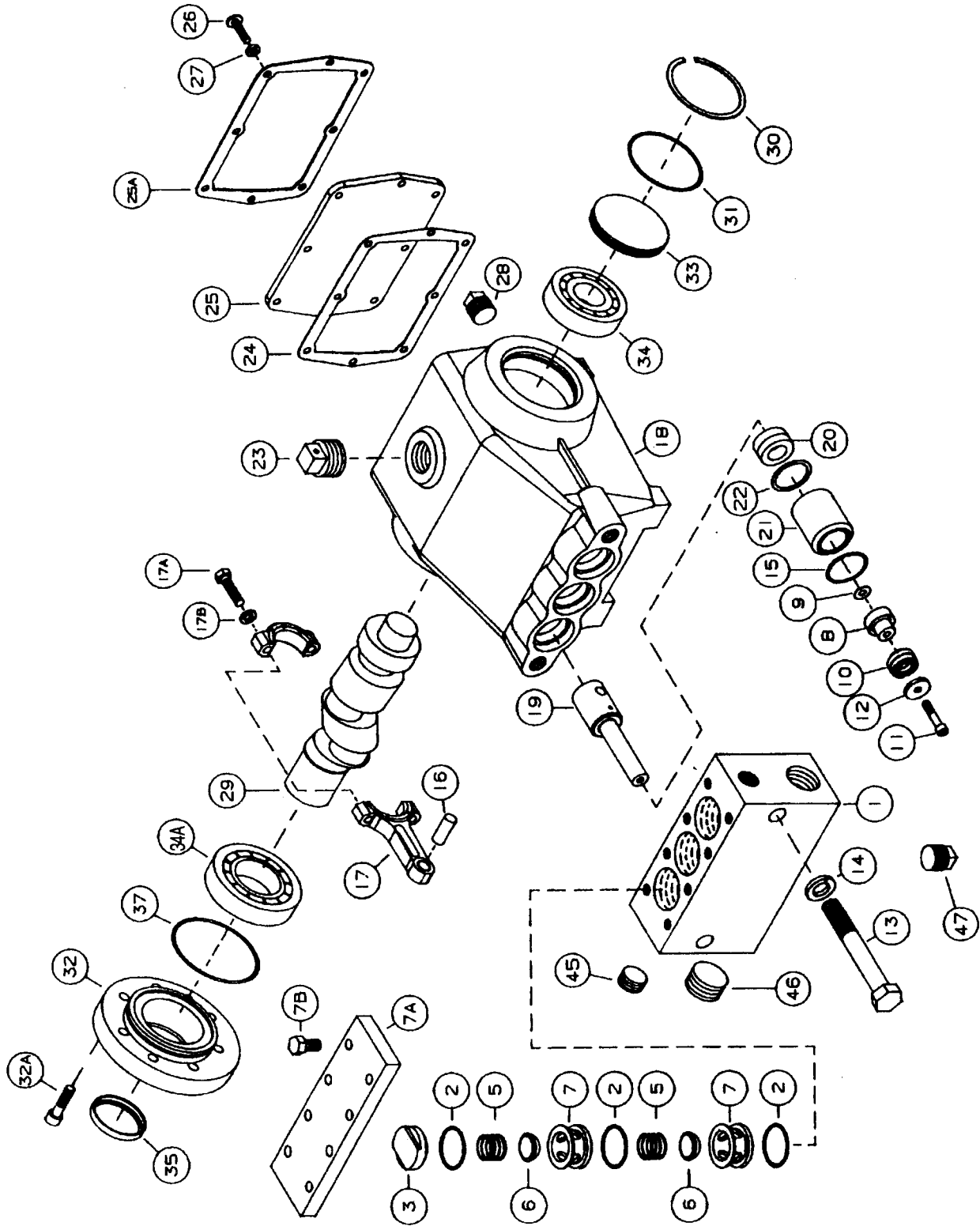
After replacing the crossheads and links, they should be pushed all the way forward; then the crankshaft can be replaced just as it was removed. All link caps should be tightened in place and free operation of the crank assured before replacing bearing cap and retainer ring. When replacing bearing cap, place a strip of electrical tape over the crankshaft keyway to reduce possibility of seal lip damage. Clean and lubricate all seals and O-rings before replacing.

CAUTION: Over tightening of rear cover screws could result in fracturing cover. Do not clean rear cover with solvents or harsh chemicals.

**BXM6-15 (22828D006), BXM6-15AB (22828D002), BXM6-15B (22828D304),
 BXM6-15C (22828D303) AND BXM8-10B (22828D300) PARTS DRAWING**



BXM6-15BH (22828D005) AND BXM8-10BH (22828D301) PARTS DRAWING



PARTS LIST FOR 22828D006 – BXM6-15

REF. NO.	PART NO.	DESCRIPTION	QTY. REQ'D.
1	22829D002	Fluid End Body, Steel	1
2	05876A118	"O" Ring	9
3	22830A002	Valve Cap	3
5	22832A000	Spring, Disch. & Suct., Monel	6
6	18317A000	Valve, Disch. & Suct., 304 SST	6
7	22833A000	Valve Seat, Disch. & Suct., 303 SST	6
7A	26278A000	Clamp for Valve Caps	1
7B	19101A018	Screw, 3/8-16 x 1-1/4" Lg.	8
8	22834A004	Piston, Aluminum Bronze	3
9	05059A424	Nylon Gasket	3
10	18922A005	Packing "V" Ring, 1.0" O.D.	3
11	06106A019	Cap Screw, 1/4-20 x 1-1/4" Lg.	3
12	05030A225	Washer, Flat, Aluminum Bronze	3
13	19105A018	Cap Screw, 5/8-11 x 4-1/2" Lg.	2
14	05454A011	Lock Washer, 5/8"	2
15	05876A116	"O" Ring	3
16	22836A000	Wrist Pin	3
17	22837B000K	Connecting Link	3
18	22838E000	Crankcase, Cast Iron	1
19	22839B001	Crosshead & Piston Rod	3
20	05710A033	Oil Seal, .625 Shaft Diameter	6
21	22840A001	Cylinder Liner, Ceramic	3
22	05059A420	Nylon Gasket	3
23	17388A000	Fill Plug, Vented	1
24	22841B000	Gasket, Rear Cover	1
25	22842B000	Rear Cover	1
25A	23717B000	Reinforcement Plate	1
26	05028A008	Machine Screw, 1/4-20 x 3/4" Lg.	8
27	05454A001	Lock Washer, 1/4"	8
28	05022A009	Drain Plug, 1/4" NPT	1
29	22843B000	Crankshaft	1
29A	05818A003	Key, 1/4 x 1/4 x 1-1/2"	1
30	10848A024	Retaining Ring for Caps	2
31	05876A117	"O" Ring for Bearing Caps	2
32	22844A000	Bearing Cap, Open	1
33	22844A001	Bearing Cap, Closed	1
34	08565A024	Ball Bearing	2
35	05710A002	Oil Seal for Open Cap	1
45	05022A015	Plug, Pipe, 1/2" NPT	1
46	05022A043	Plug, Pipe, 1" NPT	1
47	05022A009	Plug, Pipe, 1/4" NPT	1

PARTS LIST FOR 22828D002 – BXM6-15AB

REF. NO.	PART NO.	DESCRIPTION	QTY. REQ'D.
1	22829D003	Fluid End Body, Alum. Bronze	1
2	05876A118	"O" Ring	9
3	22830A002	Valve Cap	3
5	22832A000	Spring, Disch. & Suct.	6
6	18317A001	Valve, Disch. & Suct., 316 SST	6
7	22833A001	Valve Seat, Disch. & Suct., 316 SST	6
7A	26278A000	Clamp for Valve Caps	1
7B	19101A018	Screw, 3/8-16 x 1-1/4" Lg.	8
8	22834A004	Piston, 1" Dia., Aluminum Bronze	3
9	05059A424	Nylon Gasket	3
10	18922A005	Packing "V" Ring	3
11	06106A019	Cap Screw, 1/4-20 x 1-1/4" Lg.	3
12	05030A225	Washer, Flat, Aluminum Bronze	3
13	19105A018	Cap Screw, 5/8-11 x 4-1/2" Lg.	2
14	05454A011	Lock Washer, 5/8"	2
15	05876A116	"O" Ring	3
16	22836A000	Wrist Pin	3
17	22837B000K	Connecting Link	3
18	22838E000	Crankcase, Cast Iron	1
19	22839B001	Crosshead & Piston Rod	3
20	05710A033	Oil Seal, .625 Shaft Diameter	6
21	22840A001	Cylinder Liner, Ceramic	3
22	05059A420	Nylon Gasket	3
23	17388A000	Fill Plug, Vented	1
24	22841B000	Gasket, Rear Cover	1
25	22842B000	Rear Cover	1
25A	23717B000	Reinforcement Plate	1
26	05028A008	Machine Screw, 1/4-20 x 3/4" Lg.	8
27	05454A001	Lock Washer, 1/4"	8
28	05022A009	Drain Plug, 1/4" NPT	1
29	22843B000	Crankshaft	1
29A	05818A003	Key, 1/4 x 1/4 x 1-1/2"	1
30	10848A024	Retaining Ring for Caps	2
31	05876A117	"O" Ring for Bearing Caps	2
32	22844A000	Bearing Cap, Open	1
33	22844A001	Bearing Cap, Closed	1
34	08565A024	Ball Bearing	2
35	05710A002	Oil Seal for Open Cap	1
45	05022A063	Plug, Pipe, 1/2" NPT, 316 SST	1
46	05022A064	Plug, Pipe, 1" NPT, Aluminum Bronze	1
47	05022A061	Plug, Pipe, 1/4" NPT, 316 SST	1

PARTS LIST FOR 22828D303 – BXM6-15C
PARTS LIST FOR 22828D304 – BXM6-15B

REF. NO.	PART NO.	DESCRIPTION	QTY. REQ'D.
1	22829D002	Fluid End Body, Steel	1
2	05876A118	"O" Ring	9
3	22830A002	Valve Cap	3
5	22832A000	Spring, Disch. & Suct., Monel	6
6	18317A004	Valve, Disch. & Suct., 440C SST	6
7	22833A002	Valve Seat, Disch. & Suct., 440C SST	6
7A	26278A000	Clamp for Valve Caps	1
7B	19101A018	Screw, 3/8-16 x 1-1/4" Lg.	8
8	22834A004	Piston, Aluminum Bronze	3
9	05059A424	Nylon Gasket	3
10	18922A010	Packing "V" Ring, 1.0" O.D.	3
11	06106A019	Cap Screw, 1/4-20 x 1-1/4" Lg.	3
12	05030A225	Washer, Flat, Aluminum Bronze	3
13	19105A018	Cap Screw, 5/8-11 x 4-1/2" Lg.	2
14	05454A011	Lock Washer, 5/8"	2
15	05876A116	"O" Ring	3
16	22836A000	Wrist Pin	3
17	23837B000	Connecting Link	3
18	22838E000	Crankcase, Cast Iron	1
19	22839B001	Crosshead & Piston Rod	3
20	05710A033	Oil Seal, .625 Shaft Diameter	6
21	22840A001	Cylinder Liner, Ceramic	3
22	05059A420	Nylon Gasket	3
23	17388A000	Fill Plug, Vented	1
24	22841B000	Gasket, Rear Cover	1
25	22842B000	Rear Cover	1
25A	23717B000	Reinforcement Plate	1
26	05028A008	Machine Screw, 1/4-20 x 3/4" Lg.	8
27	05454A001	Lock Washer, 1/4"	8
28	05022A009	Drain Plug, 1/4" NPT	1
29	22843B000	Crankshaft	1
29A	05818A003	Key, 1/4 x 1/4 x 1-1/2"	1
30	10848A024	Retaining Ring for Caps	2
31	05876A117	"O" Ring for Bearing Caps	2
32	22844A000	Bearing Cap, Open	1
33	22844A001	Bearing Cap, Closed	1
34	08565A024	Ball Bearing	2
35	05710A002	Oil Seal for Open Cap	1
45	05022A015	Plug, Pipe, 1/2" NPT	1
46	05022A043	Plug, Pipe, 1" NPT	1
47	05022A009	Plug, Pipe, 1/4" NPT	1

PARTS LIST FOR 22828D005 – BXM6-15BH

REF. NO.	PART NO.	DESCRIPTION	QTY. REQ'D.
1	22829D002	Fluid End Body, Steel	1
2	05876A118	"O" Ring	9
3	22830A002	Valve Cap	3
5	22832A000	Spring, Disch. & Suct., Monel	6
6	18317A004	Valve, Disch. & Suct., 440C SST	6
7	22833A002	Valve Seat, Disch. & Suct., 440C SST	6
7A	26278A000	Clamp for Valve Caps	1
7B	19101A018	Screw, 3/8-16 x 1-1/4" Lg.	8
8	22834A004	Piston, Aluminum Bronze	3
9	05059A424	Nylon Gasket	3
10	18922A010	Packing "V" Ring, 1.0" O.D.	3
11	06106A019	Cap Screw, 1/4-20 x 1-1/4" Lg.	3
12	05030A225	Washer, Flat, Aluminum Bronze	3
13	19105A018	Cap Screw, 5/8-11 x 4-1/2" Lg.	2
14	05454A011	Lock Washer, 5/8"	2
15	05876A116	"O" Ring	3
16	22836A000	Wrist Pin	3
17	23837B000	Connecting Link	3
18	22838E001	Crankcase, Cast Iron, Hydr. Drive	1
19	22839B001	Crosshead & Piston Rod	3
20	05710A033	Oil Seal, .625 Shaft Diameter	6
21	22840A001	Cylinder Liner, Ceramic	3
22	05059A420	Nylon Gasket	3
23	17388A000	Fill Plug, Vented	1
24	22841B000	Gasket, Rear Cover	1
25	22842B000	Rear Cover	1
25A	23717B000	Reinforcement Plate	1
26	05028A008	Machine Screw, 1/4-20 x 3/4" Lg.	8
27	05454A001	Lock Washer, 1/4"	8
28	05022A009	Drain Plug, 1/4" NPT	1
29	22843B001C	Crankshaft, Hydraulic Drive	1
30	10848A024	Retaining Ring for Caps	1
31	05876A117	"O" Ring for Bearing Caps	1
32	26368B000	Adapter, Bearing Cap, Hydr. Drive	1
32A	06106A047	Screw, Skt. Hd. 5/16-18 x 1-1/4"	8
33	22844A001	Bearing Cap, Closed	1
34	08565A024	Ball Bearing	1
34A	08565A011	Ball Bearing	1
35	05710A045	Oil Seal for Open Adapter	1
37	05876A035	"O" Ring for Adapter	1
45	05022A015	Plug, Pipe, 1/2" NPT	1
46	05022A043	Plug, Pipe, 1" NPT	1
47	05022A009	Plug, Pipe, 1/4" NPT	1

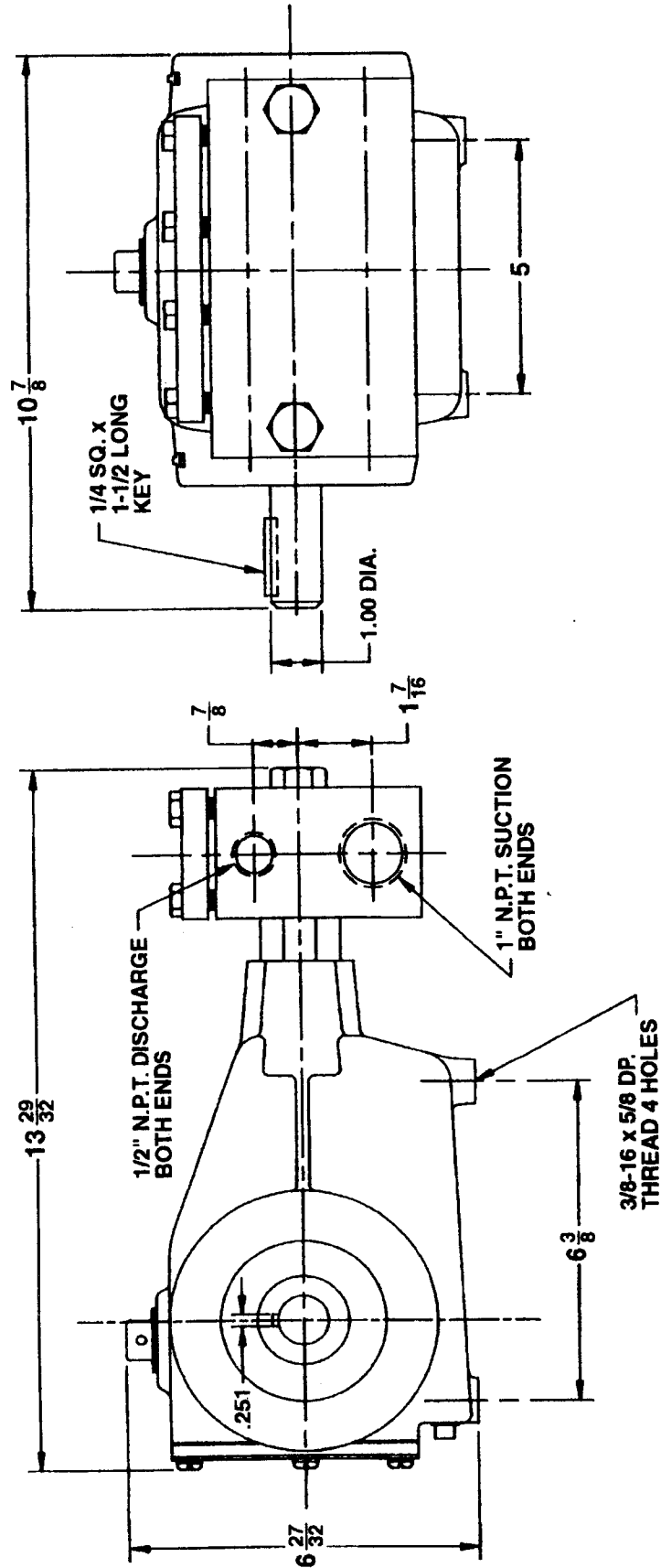
PARTS LIST FOR 22828D300 - BXM8-10B

REF. NO.	PART NO.	DESCRIPTION	QTY. REQ'D.
1	22829D004	Fluid End Body, Steel	1
2	05876A118	"O" Ring	9
3	22830A002	Valve Cap	3
5	22832A000	Spring, Disch. & Suct., Monel	6
6	18317A004	Valve, Disch. & Suct., 440C SST	6
7	22833A002	Valve Seat, Disch. & Suct., 440C SST	6
7A	26278A000	Clamp for Valve Caps	1
7B	19101A018	Screw, 3/8-16 x 1-1/4" Lg.	8
8	22834A005	Piston, Aluminum Bronze	3
9	05059A424	Nylon Gasket	3
10	18922A001	Packing "V" Ring, 1.25" O.D.	3
11	06106A019	Cap Screw, 1/4-20 x 1-1/4" Lg.	3
12	05030A251	Washer, Flat, Aluminum Bronze	3
13	19105A018	Cap Screw, 5/8-11 x 4-1/2" Lg.	2
14	05454A011	Lock Washer, 5/8"	2
15	05876A084	"O" Ring	3
16	22836A000	Wrist Pin	3
17	23837B000	Connecting Link	3
18	22838E002	Crankcase, Cast Iron	1
19	22839B001	Crosshead & Piston Rod	3
20	05710A033	Oil Seal, .625 Shaft Diameter	6
21	22840A002	Cylinder Liner, Ceramic	3
22	05059A445	Nylon Gasket	3
23	17388A000	Fill Plug, Vented	1
24	22841B000	Gasket, Rear Cover	1
25	22842B000	Rear Cover	1
25A	23717B000	Reinforcement Plate	1
26	05028A008	Machine Screw, 1/4-20 x 3/4" Lg.	8
27	05454A001	Lock Washer, 1/4"	8
28	05022A009	Drain Plug, 1/4" NPT	1
29	22843B000	Crankshaft	1
29A	05818A003	Key, 1/4 x 1/4 x 1-1/2"	1
30	10848A024	Retaining Ring for Caps	2
31	05876A117	"O" Ring for Bearing Caps	2
32	22844A000	Bearing Cap, Open	1
33	22844A001	Bearing Cap, Closed	1
34	08565A024	Ball Bearing	2
35	05710A002	Oil Seal for Open Cap	1
45	05022A015	Plug, Pipe, 1/2" NPT	1
46	05022A043	Plug, Pipe, 1" NPT	1
47	05022A009	Plug, Pipe, 1/4" NPT	1

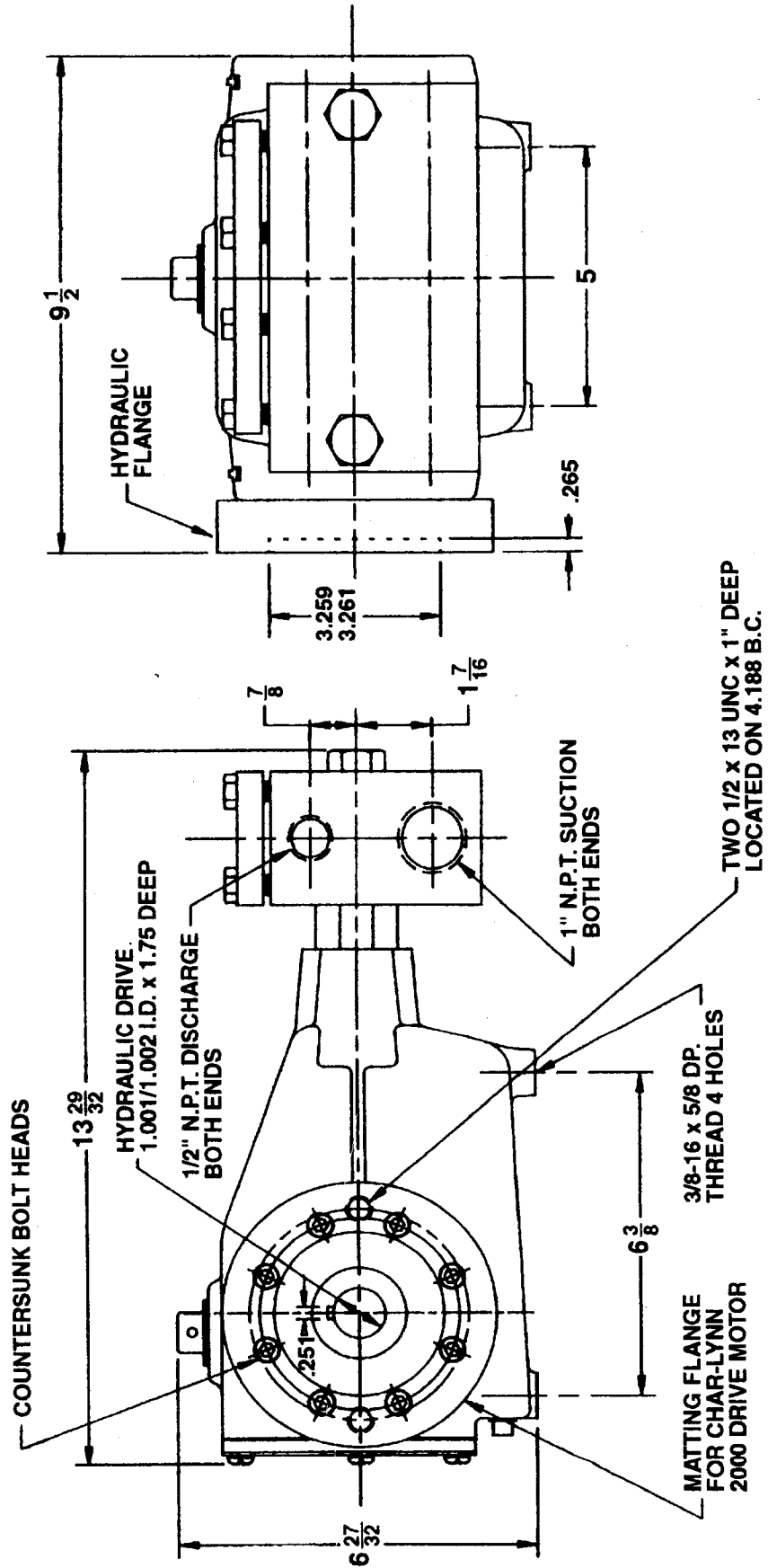
PARTS LIST FOR 22828D301 - BXM8-10BH

REF. NO.	PART NO.	DESCRIPTION	QTY. REQ'D.
1	22829D004	Fluid End Body, Steel	1
2	05876A118	"O" Ring	9
3	22830A002	Valve Cap	3
5	22832A000	Spring, Disch. & Suct., Monel	6
6	18317A004	Valve, Disch. & Suct., 440C SST	6
7	22833A002	Valve Seat, Disch. & Suct., 440C SST	6
7A	26278A000	Clamp for Valve Caps	1
7B	19101A018	Screw, 3/8-16 x 1-1/4" Lg.	8
8	22834A005	Piston, Aluminum Bronze	3
9	05059A424	Nylon Gasket	3
10	18922A001	Packing "V" Ring, 1.25" O.D.	3
11	06106A019	Cap Screw, 1/4-20 x 1-1/4" Lg.	3
12	05030A251	Washer, Flat, Aluminum Bronze	3
13	19105A018	Cap Screw, 5/8-11 x 4-1/2" Lg.	2
14	05454A011	Lock Washer, 5/8"	2
15	05876A084	"O" Ring	3
16	22836A000	Wrist Pin	3
17	23837B000	Connecting Link	3
18	22838E003	Crankcase, Cast Iron, Hydr. Drive	1
19	22839B001	Crosshead & Piston Rod	3
20	05710A033	Oil Seal, .625 Shaft Diameter	6
21	22840A002	Cylinder Liner, Ceramic	3
22	05059A445	Nylon Gasket	3
23	17388A000	Fill Plug, Vented	1
24	22841B000	Gasket, Rear Cover	1
25	22842B000	Rear Cover	1
25A	23717B000	Reinforcement Plate	1
26	05028A008	Machine Screw, 1/4-20 x 3/4" Lg.	8
27	05454A001	Lock Washer, 1/4"	8
28	05022A009	Drain Plug, 1/4" NPT	1
29	22843B001C	Crankshaft, Hydraulic Drive	1
30	10848A024	Retaining Ring for Caps	1
31	05876A117	"O" Ring for Bearing Caps	1
32	26368B000	Adapter, Bearing Cap, Hydr. Drive	1
32A	06106A047	Screw, Skt. Hd. 5/16-18 x 1-1/4"	8
33	22844A001	Bearing Cap, Closed	1
34	08565A024	Ball Bearing	1
34A	08565A011	Ball Bearing	1
35	05710A045	Oil Seal for Open Adapter	1
37	05876A035	"O" Ring for Adapter	1
45	05022A015	Plug, Pipe, 1/2" NPT	1
46	05022A043	Plug, Pipe, 1" NPT	1
47	05022A009	Plug, Pipe, 1/4" NPT	1

**BXM6-15 (22828D006), BXM6-15AB (22828D002), BXM6-15B (22828D304),
 BXM6-15C (22828D303) AND BXM8-10B (22828D300) DIMENSIONAL DRAWING**



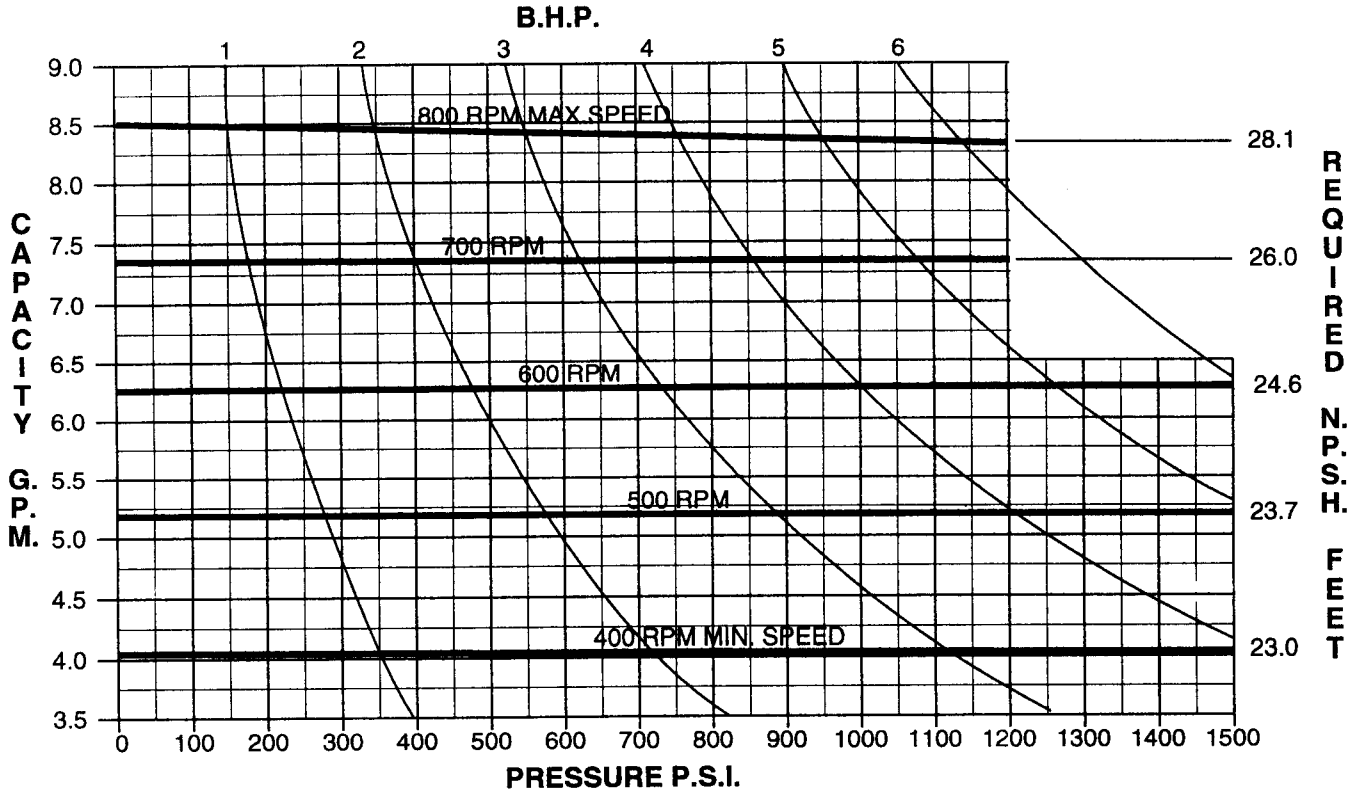
BXM6-15BH (22828D005) AND BXM8-10BH (22828D301) DIMENSIONAL DRAWING



**TRIPLE RECIPROCATING PISTON PUMP
 BXM6 SERIES
 PISTON SIZE – 1"
 STROKE – 1-1/16"**

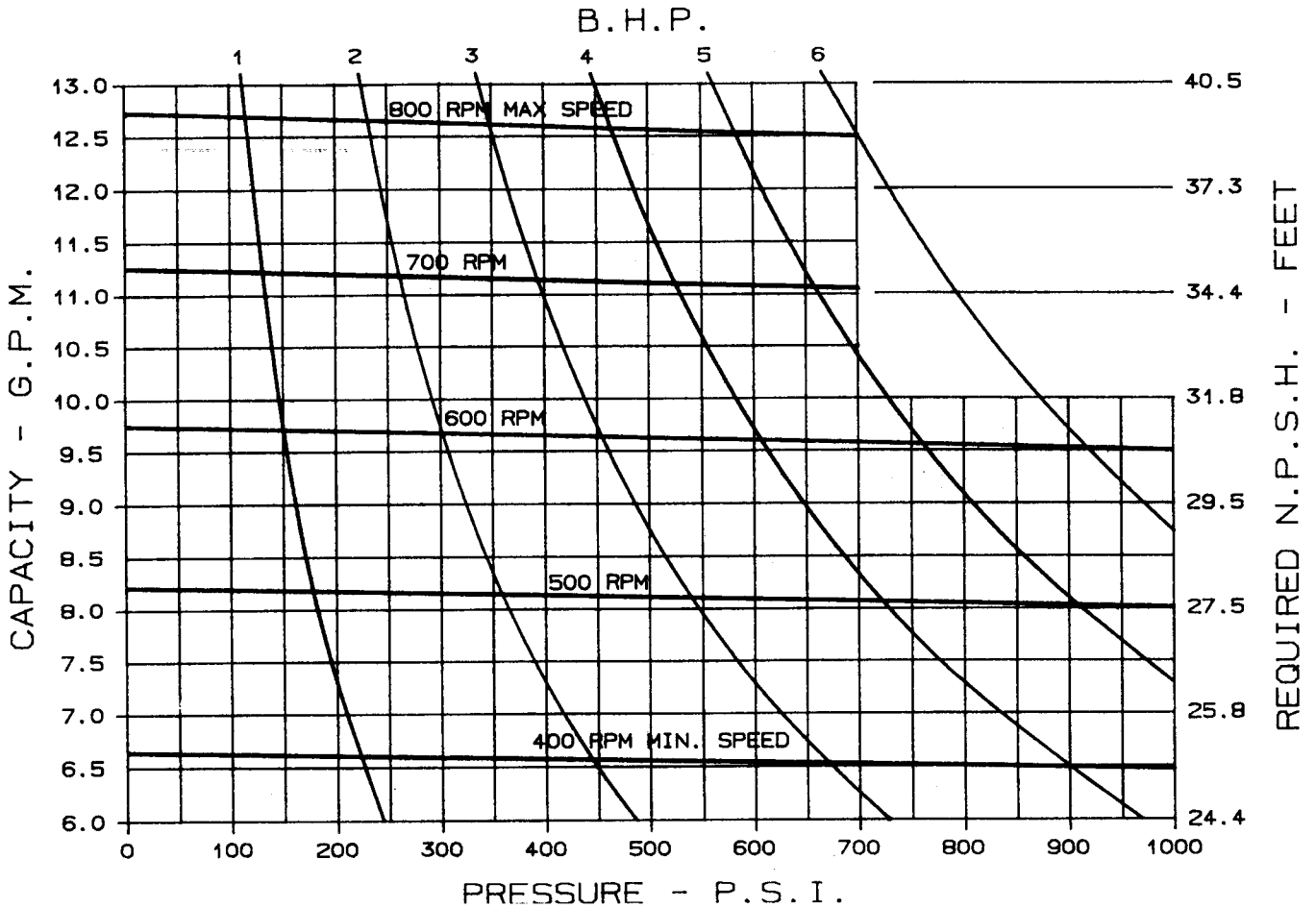
NOTE: Horsepower requirements for internal combustion engine (gas or diesel) may be obtained by multiplying the figures listed by 1.3. Do not exceed 80% of the engine manufacturer's advertised horsepower at operating RPM.

NOTE: Consult F. E. Myers when operating speed is less than minimum rating for lubrication recommendations.



**TRIPLE RECIPROCATING PISTON PUMP
 BXM8 SERIES
 PISTON SIZE - 1.25"
 STROKE - 1-1/16"**

NOTE: Horsepower requirements for internal combustion engine (gas or diesel) may be obtained by multiplying the figures listed by 1.3. Do not exceed 80% of the engine manufacturer's advertised horsepower at operating RPM.
 NOTE: Consult F. E. Myers when operating speed is less than minimum rating for lubrication recommendations.



Myers®

1101 Myers Parkway, Ashland, Ohio 44805-1969
 419/289-1144 • FAX 419/289-6658 • TLX: 948-7443
 Myers (Canada), 269 Trillium Drive, Kitchener, Ontario N2G 4W5
 519/748-5470, FAX: 519/748-2553